

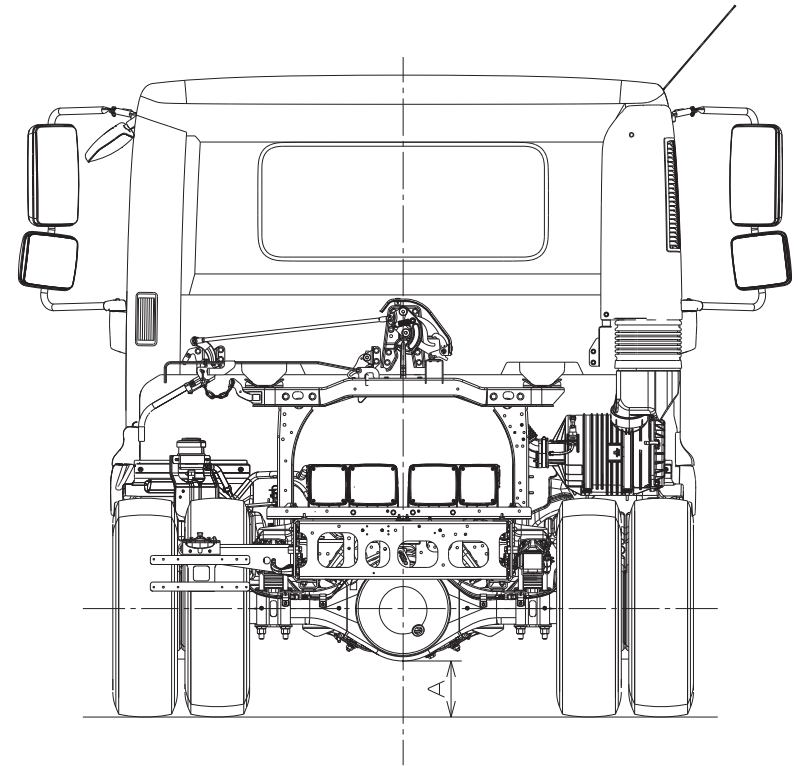
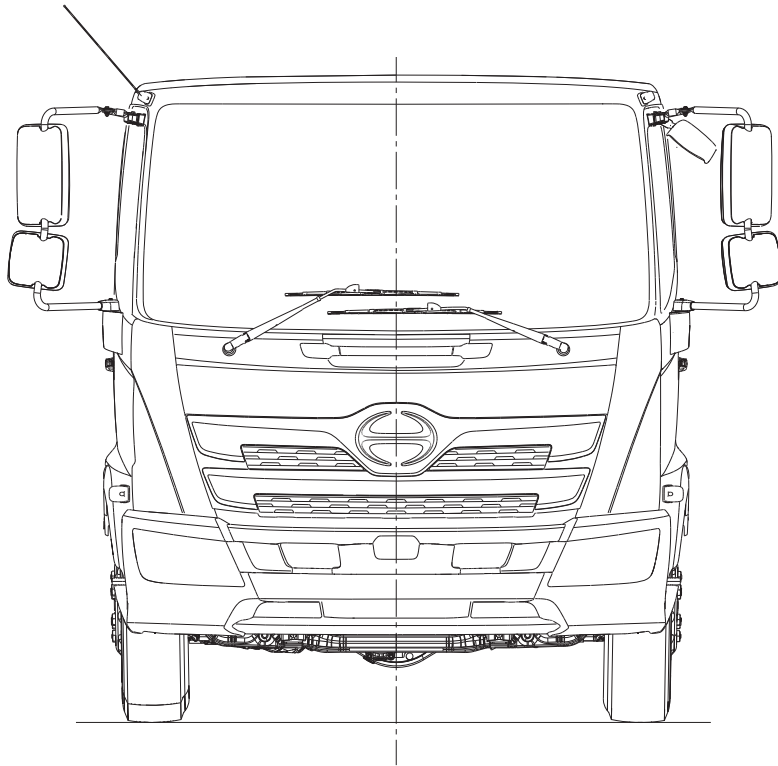
No. C-3

Unit : mm

• Front

• Rear

MODEL	TIRE	A
FD2A	235/75R17.5	190



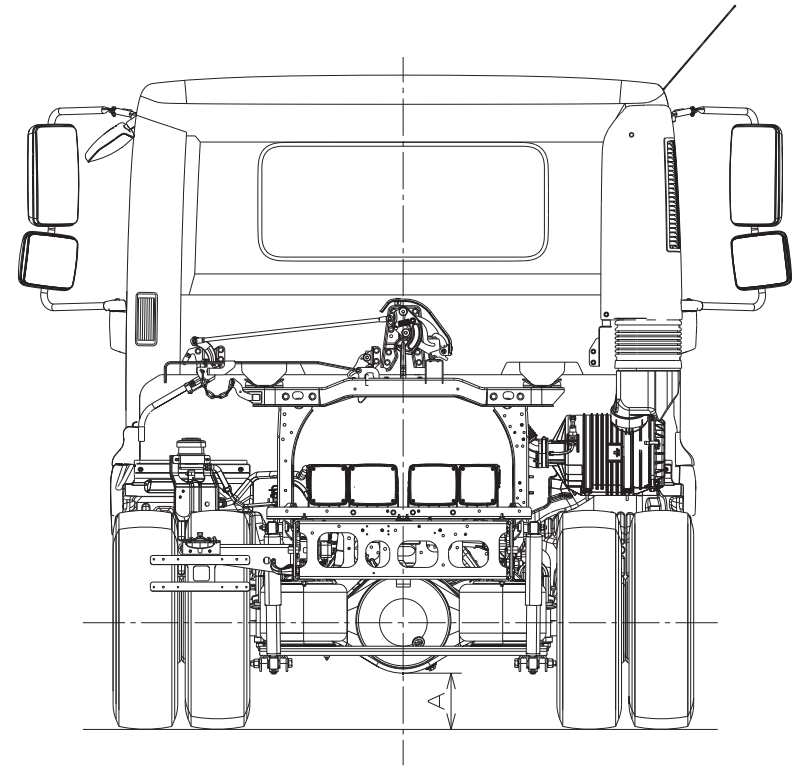
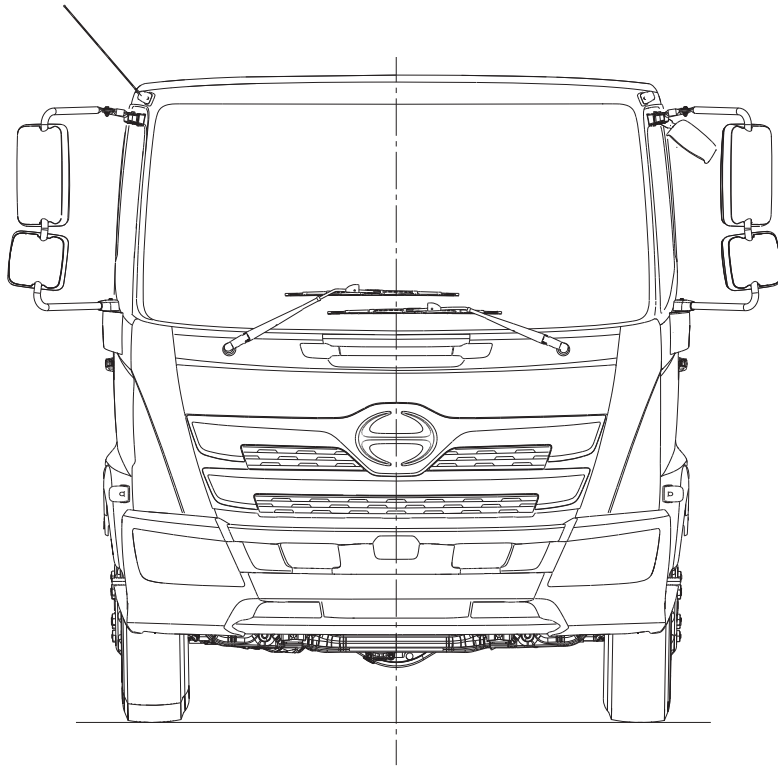
No. C-4

Unit : mm

• Front

• Rear

MODEL	TIRE	A
FD2A	235/75R17.5	190
	245/70R19.5	210



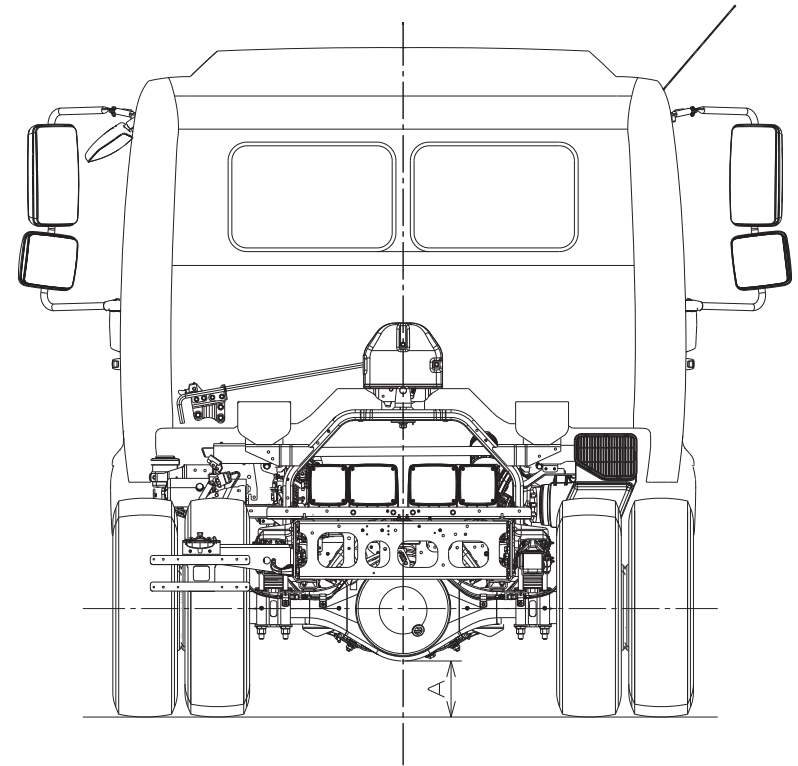
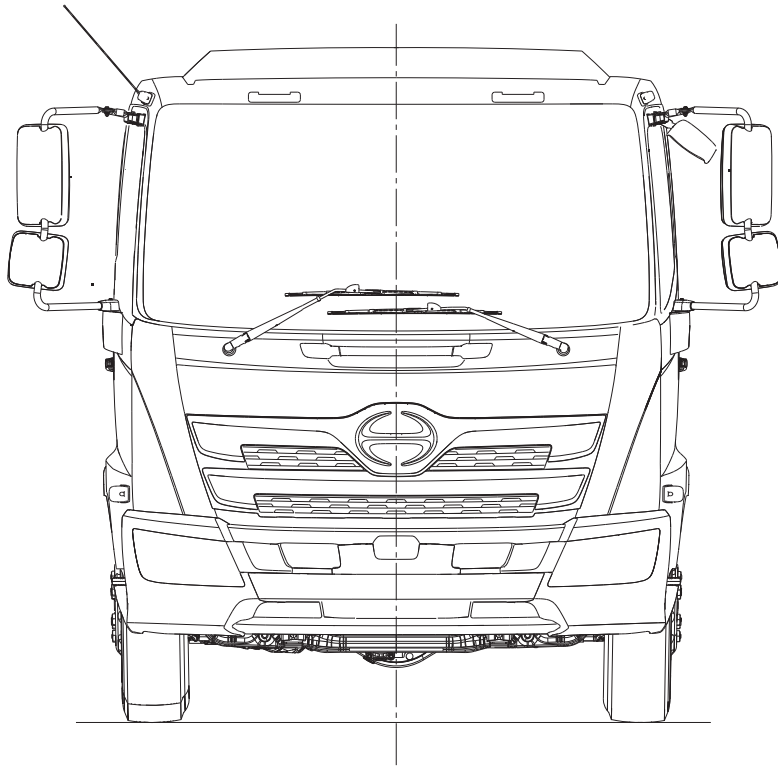
No. C-5

Unit : mm

• Front

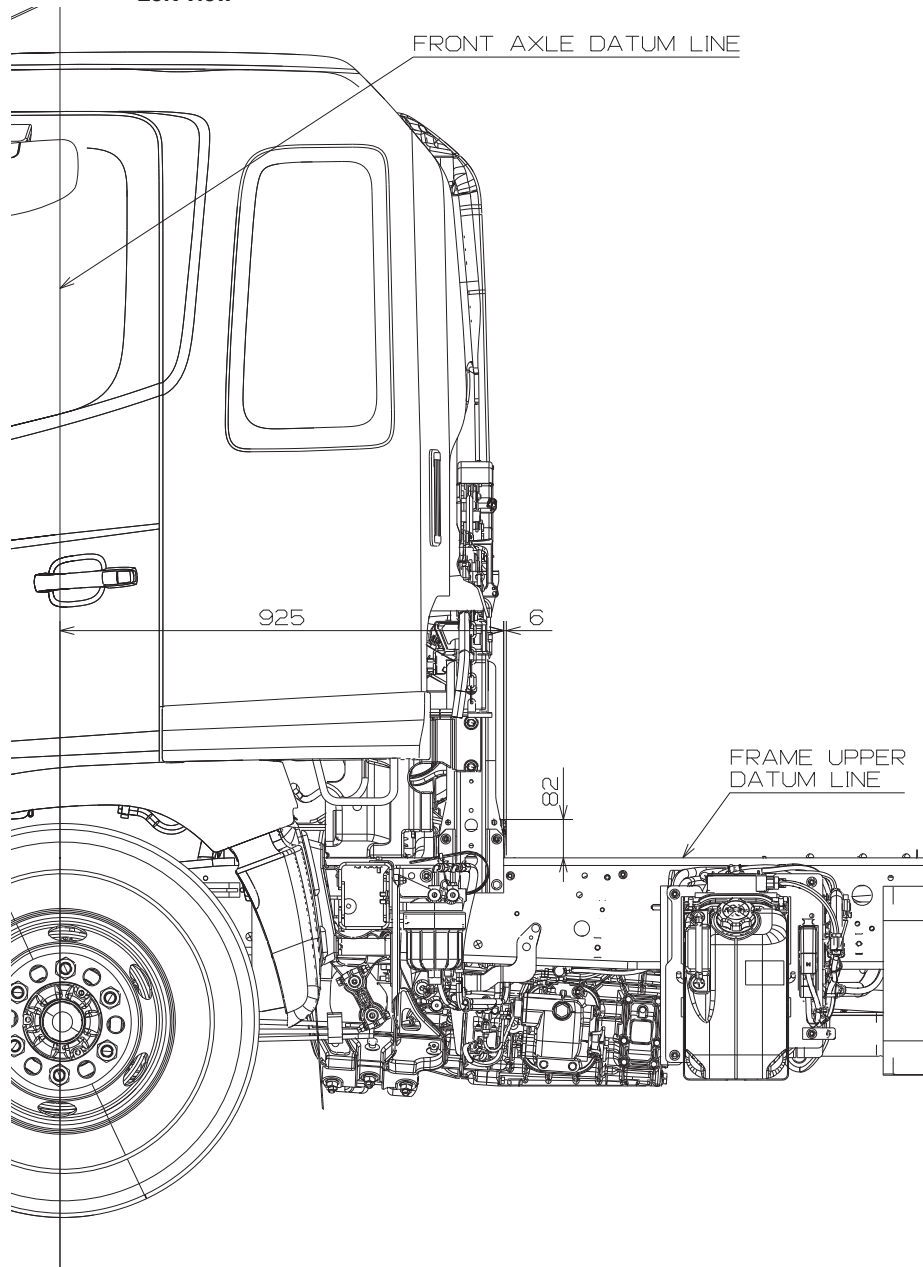
• Rear

MODEL	TIRE	A
FD2A	235/75R17.5	190



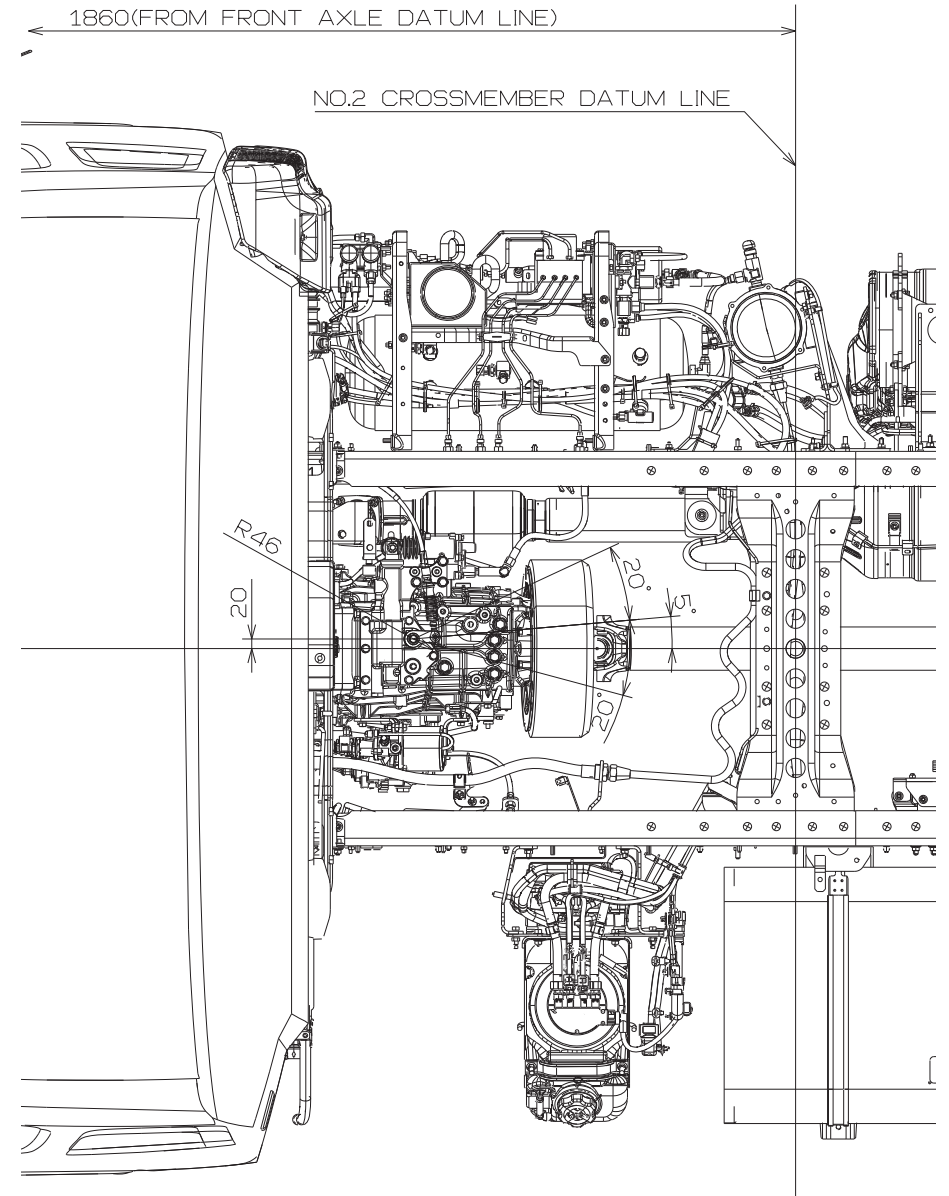
No. CB-3 PRODUCTION CODE : FD2A

• Left view



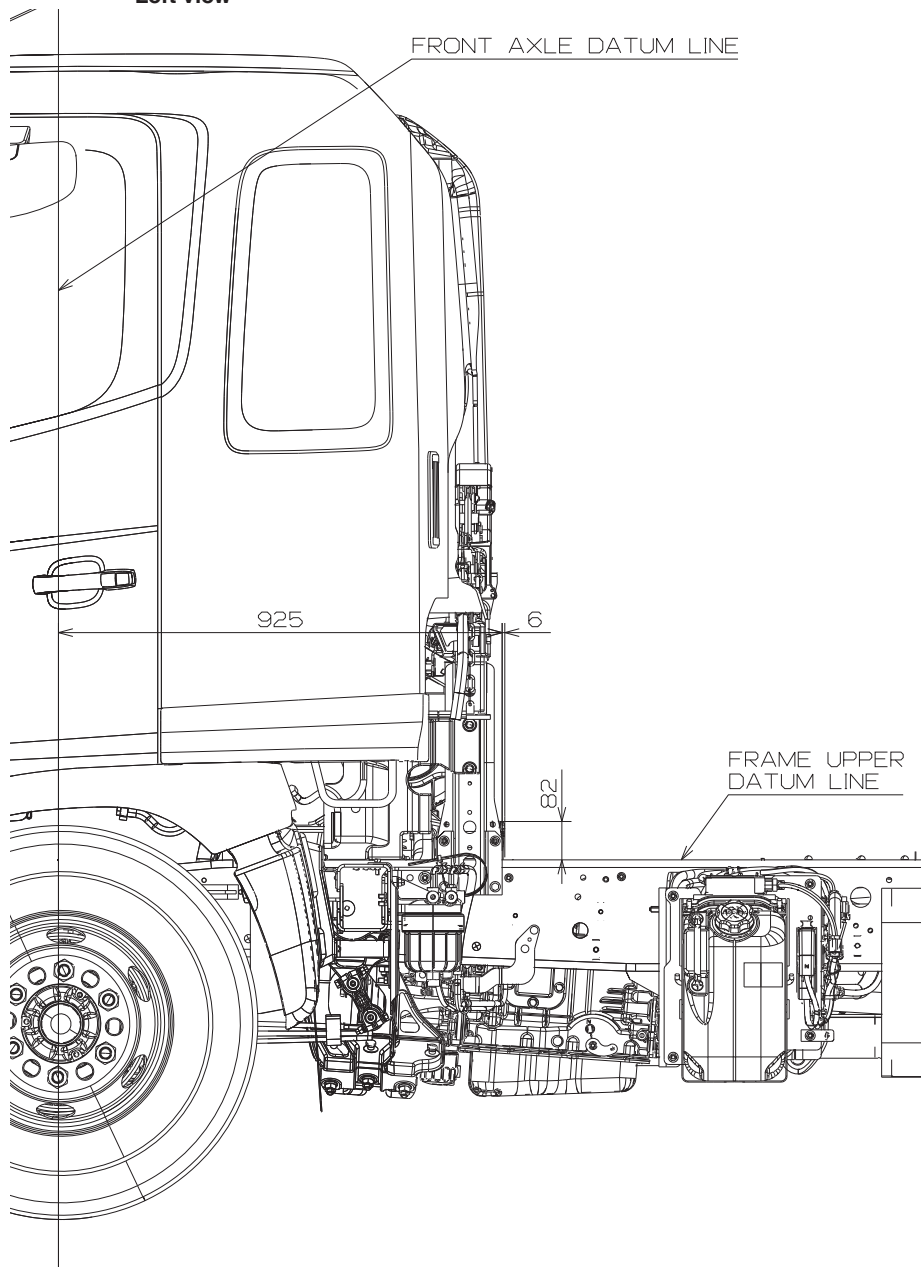
• Upper view

Unit : mm



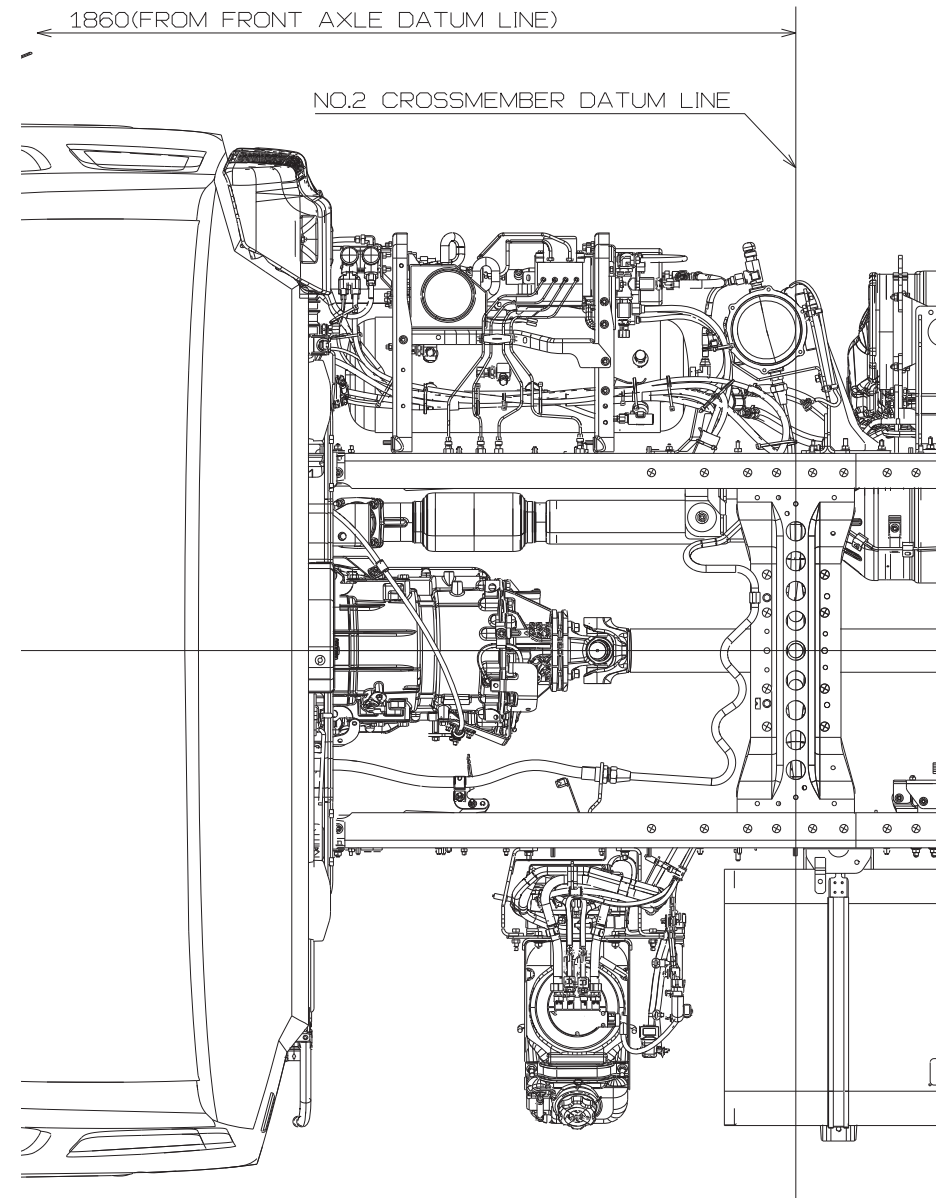
No. CB-4 PRODUCTION CODE : FD2A

• Left view



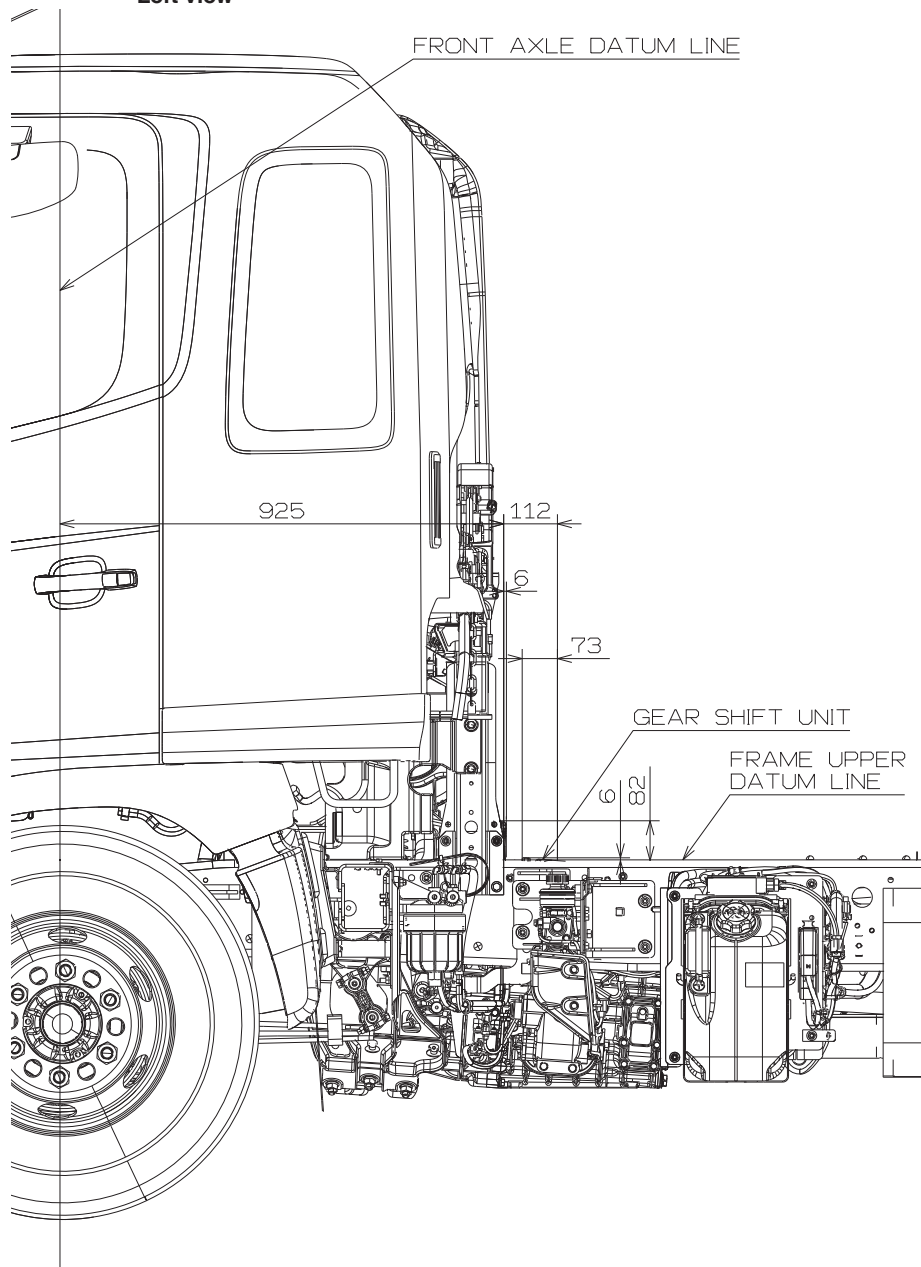
• Upper view

Unit : mm



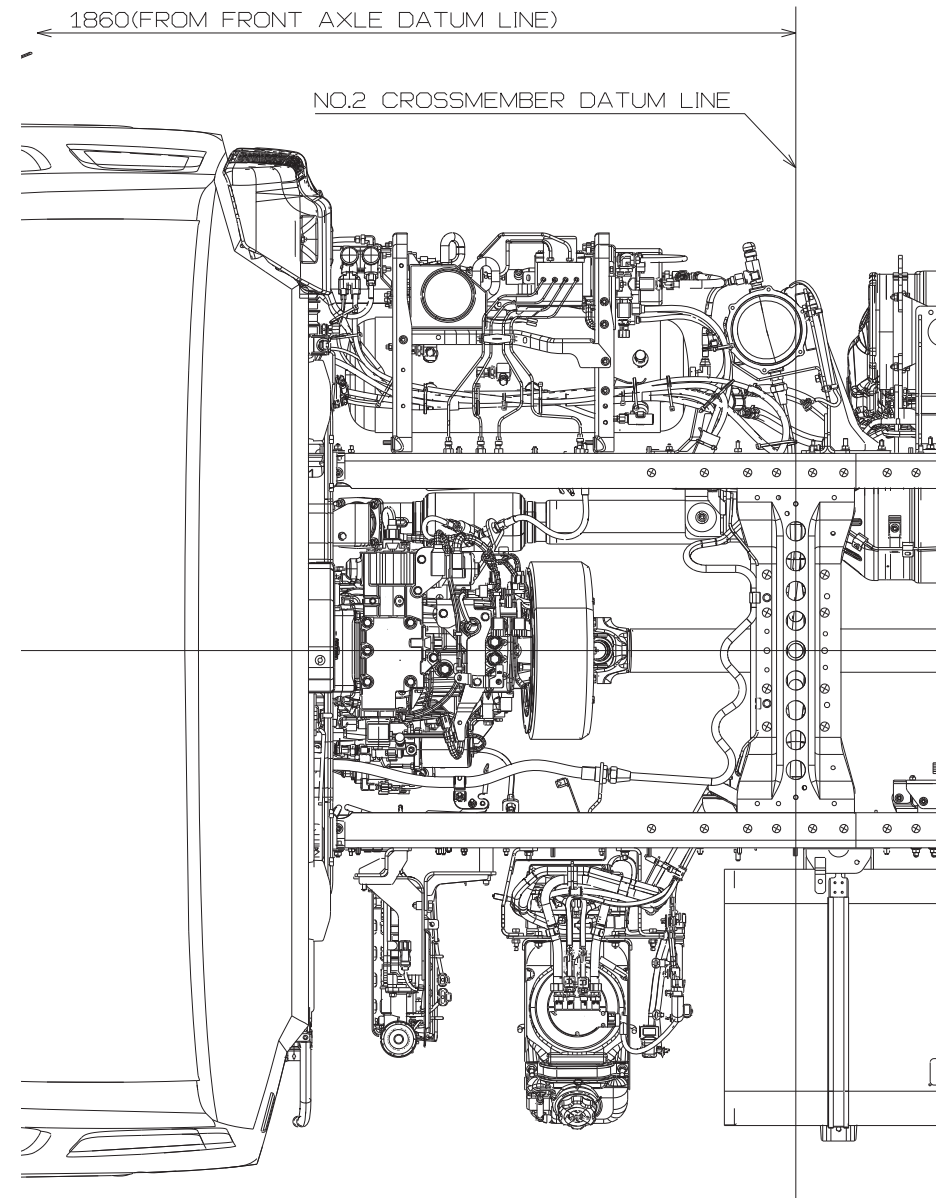
No. CB-5 PRODUCTION CODE : FD2A

• Left view



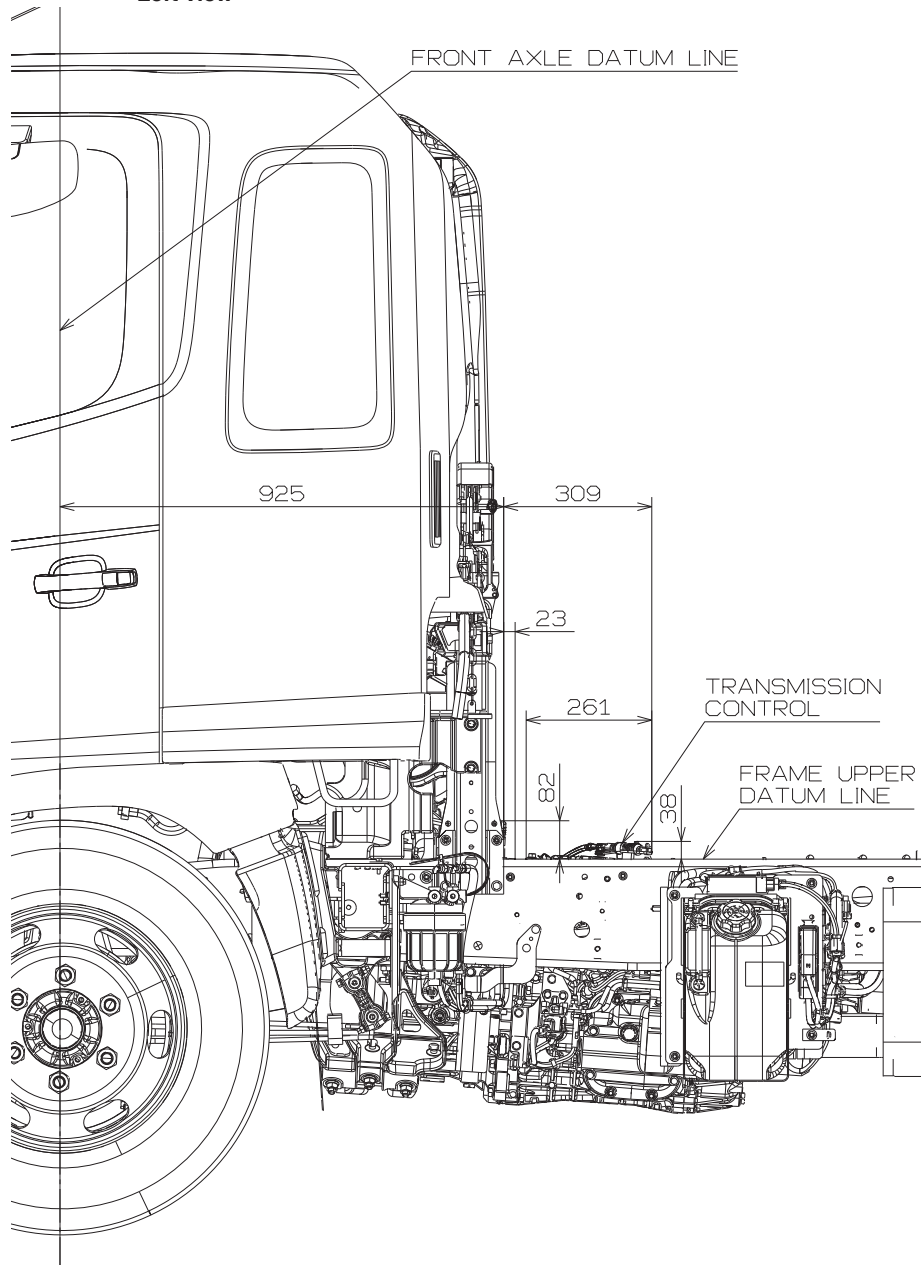
• Upper view

Unit : mm



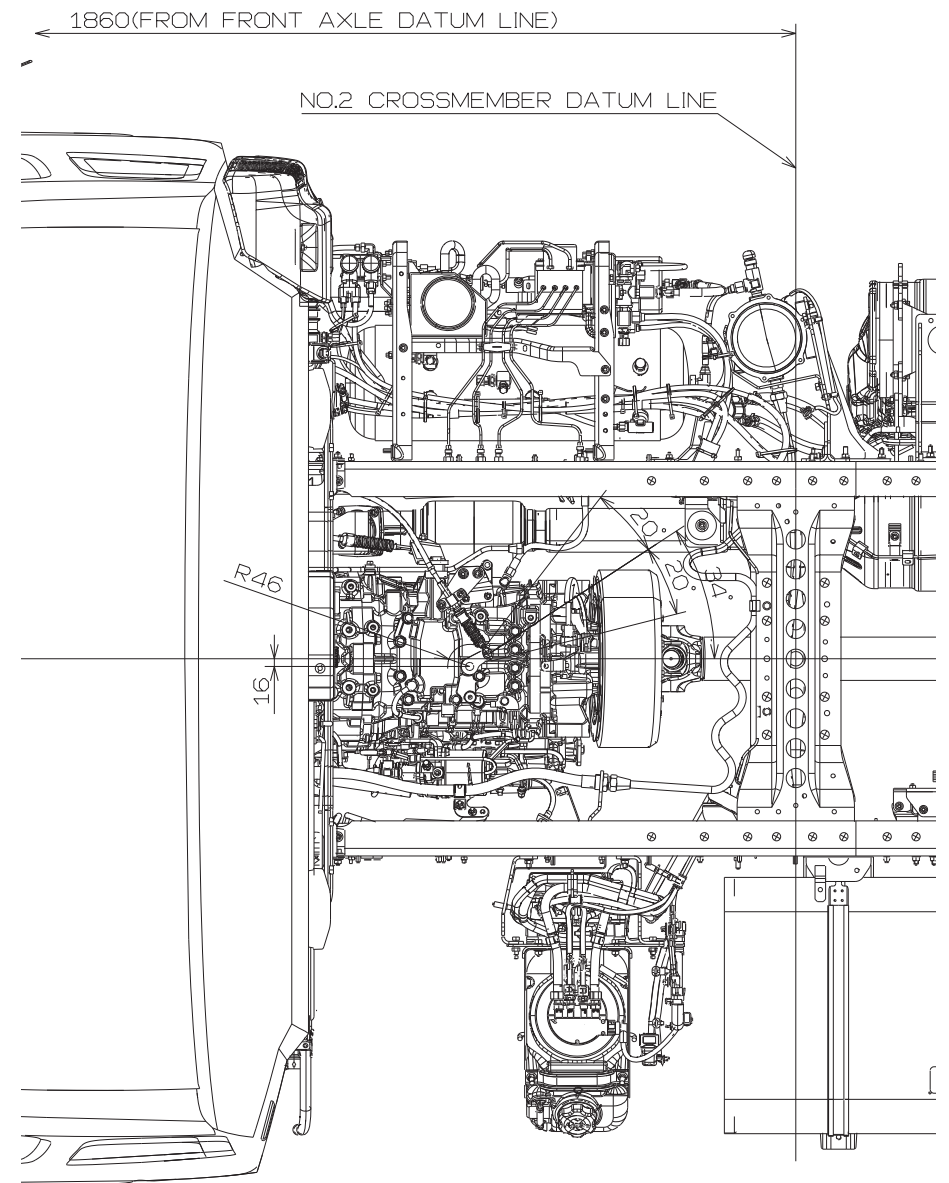
No. CB-6 PRODUCTION CODE : FD2A

• Left view

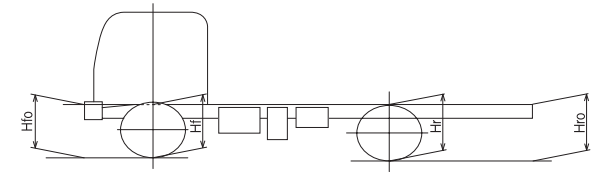
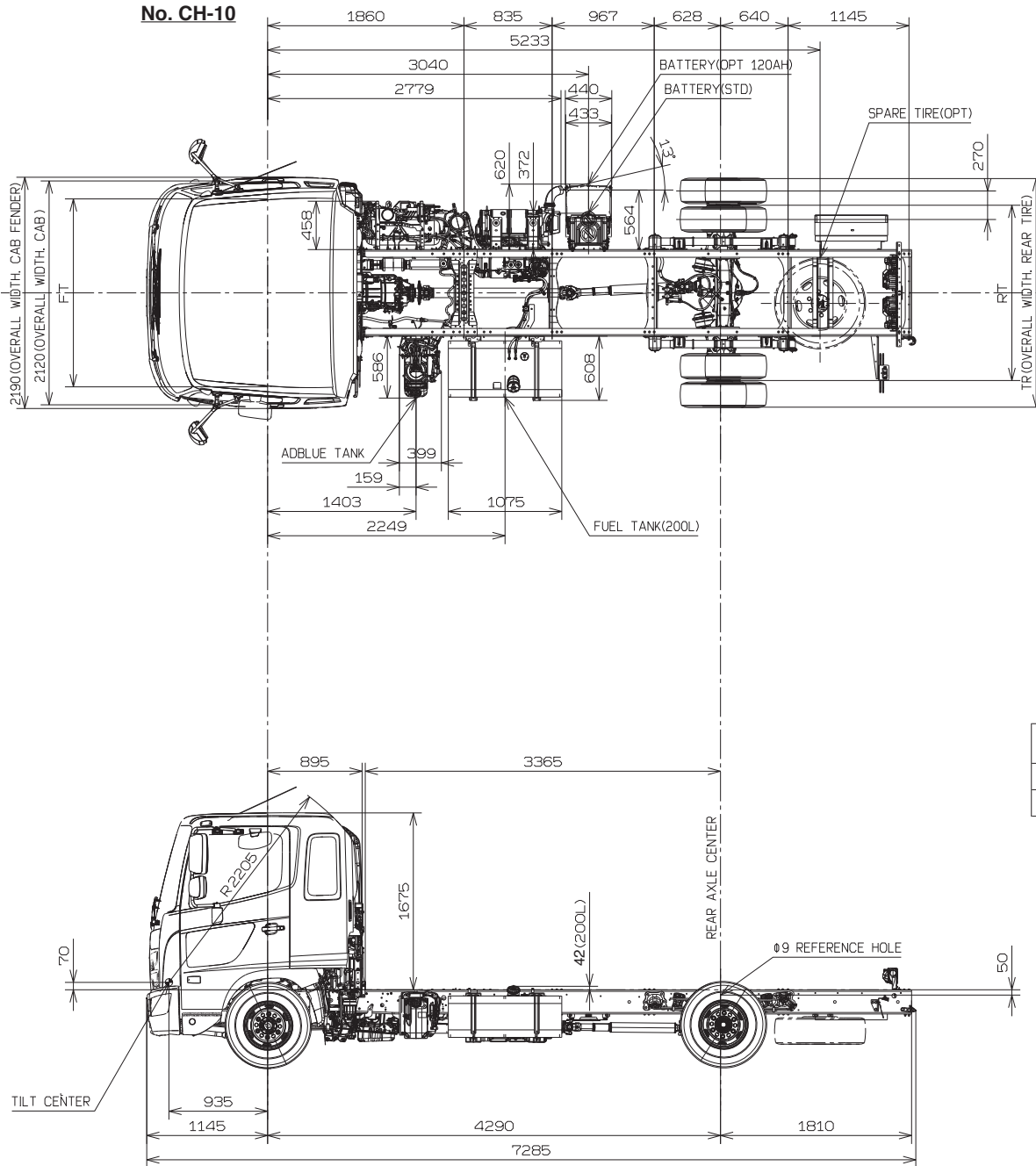


• Upper view

Unit : mm

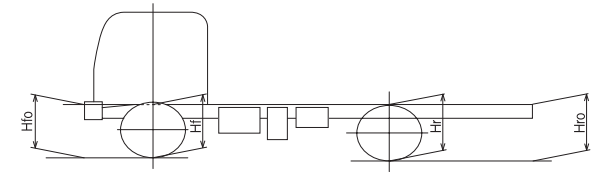
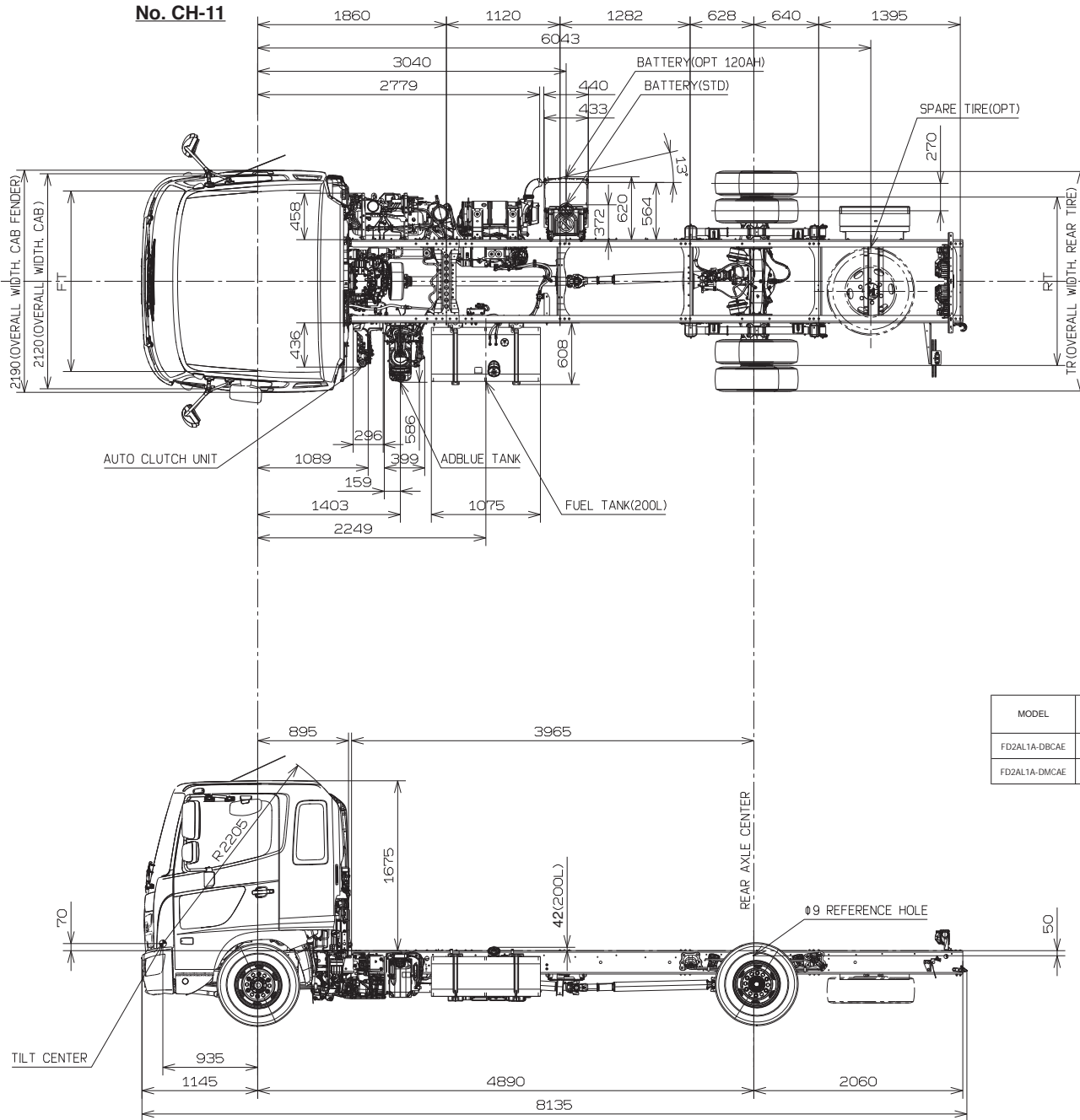


Unit : mm



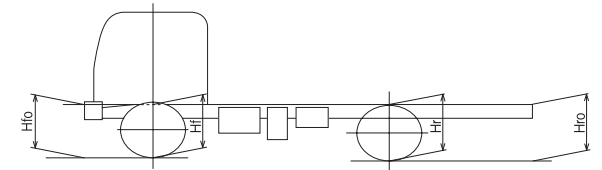
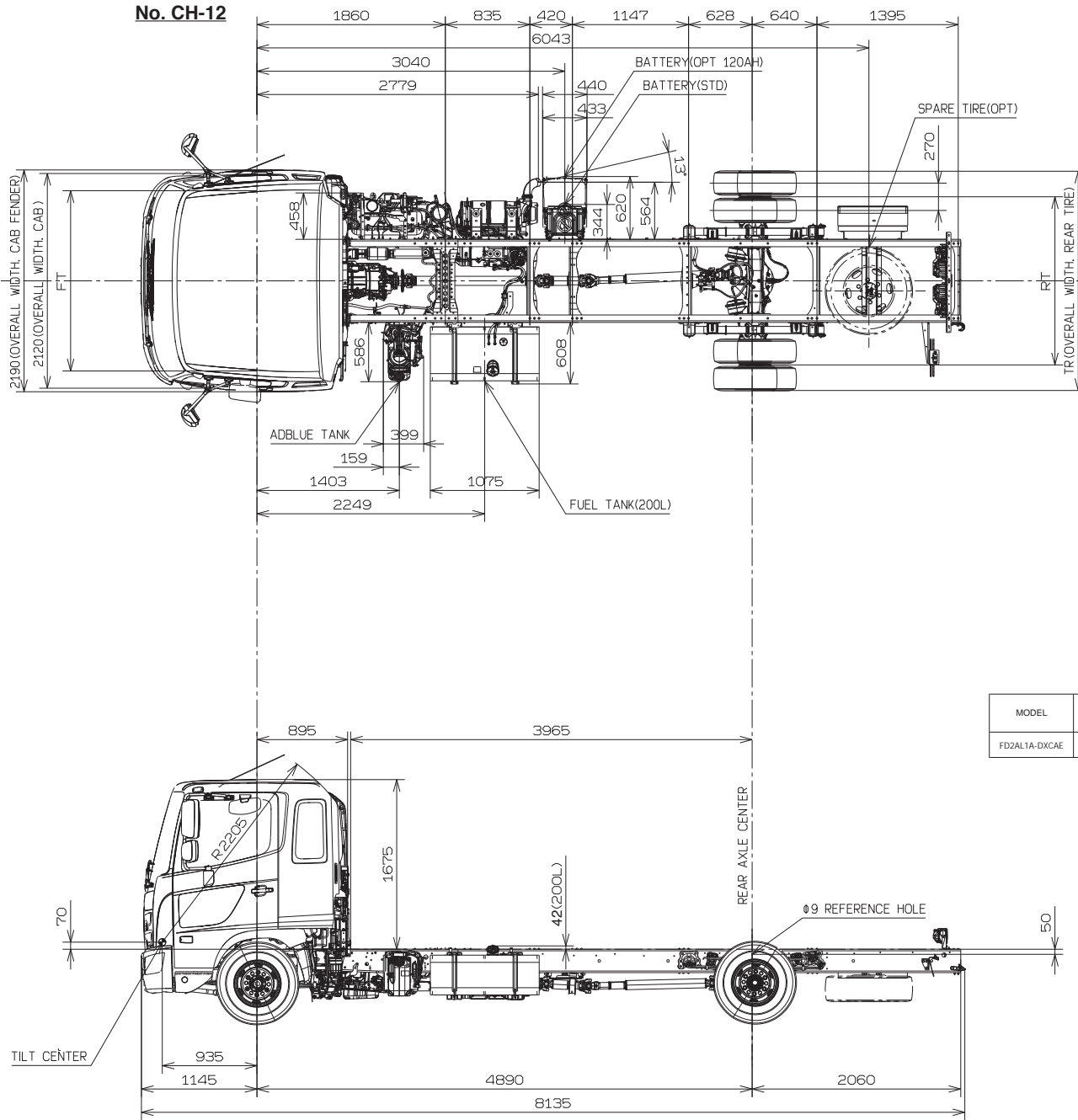
MODEL	TIRE	WHEEL	GROUND HEIGHT, FRAME UPPER SURFACE				FT	RT	TR
			H10	H1	H	H10			
FD2AJ1A-DBCAE	235/75R17.5 132/130M	17.5X6.75-135	745	765	860	900	1780	1660	2165
		17.5X6.75-135 ALLOY	745	765	860	900	1795	1680	2190
		17.5X6.75-135	745	765	860	900	1780	1660	2165
FD2AJ1A-DXCAE	235/75R17.5 132/130M	17.5X6.75-135	745	765	860	900	1795	1680	2190
		17.5X6.75-135 ALLOY	745	765	860	900	1795	1680	2190

Unit : mm



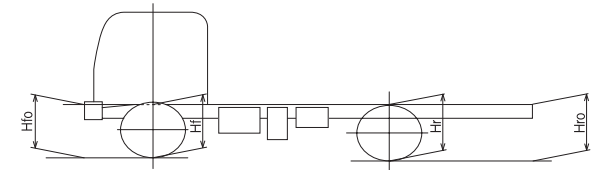
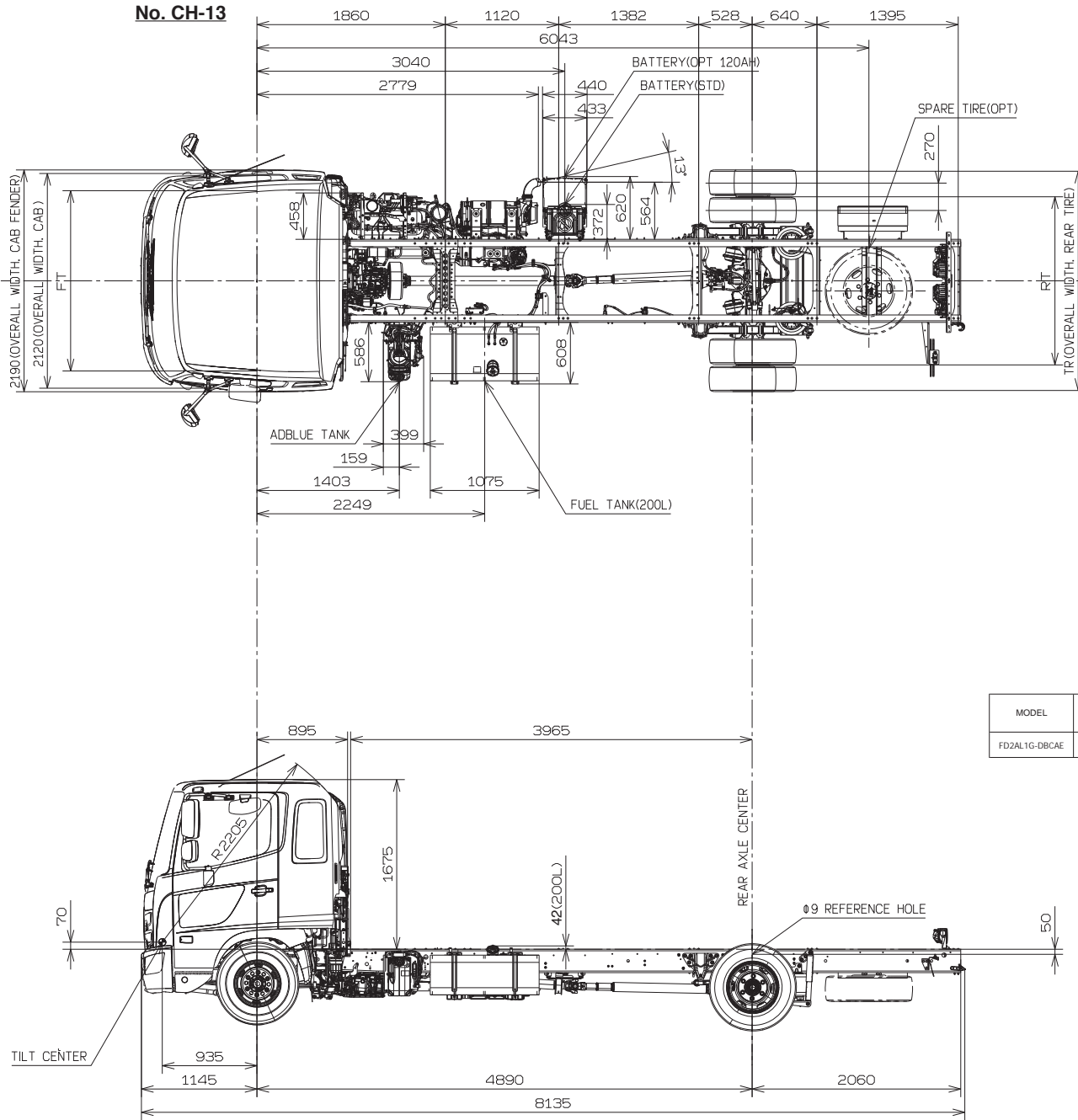
MODEL	TIRE	WHEEL	GROUND HEIGHT, FRAME UPPER SURFACE				FT	RT	TR
			H10	H1	H	H2			
FD2AL1A-DBCAE	235/75R17.5 132/130M	17.5X6.75-135	745	765	860	900	1780	1660	2165
		17.5X6.75-135 ALLOY	745	765	860	900	1795	1680	2190
		17.5X6.75-135	745	765	860	900	1780	1660	2165
FD2AL1A-DMCAE	235/75R17.5 132/130M	17.5X6.75-135	745	765	860	900	1795	1680	2190
		17.5X6.75-135 ALLOY	745	765	860	900	1795	1680	2190

Unit : mm



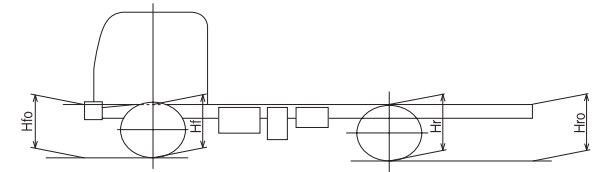
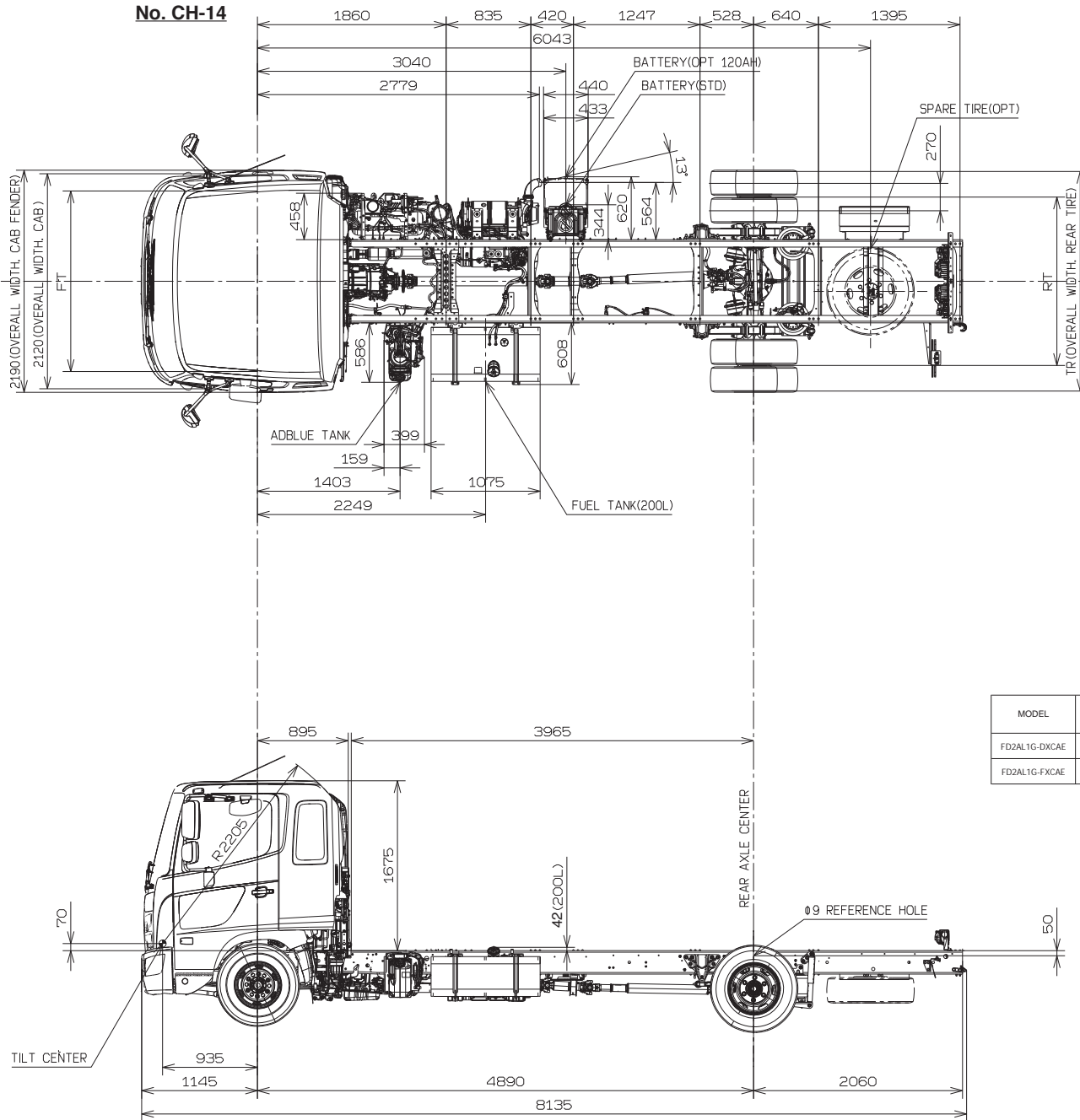
MODEL	TIRE	WHEEL	GROUND HEIGHT, FRAME UPPER SURFACE				FT	RT	TR
			H10	H1	H2	H3			
FD2AL1A-DXCAE	235/75R17.5 132/130M	17.5X6.75-135	745	765	860	900	1780	1660	2165
		17.5X6.75-135 ALLOY	745	765	860	900	1795	1680	2190

Unit : mm



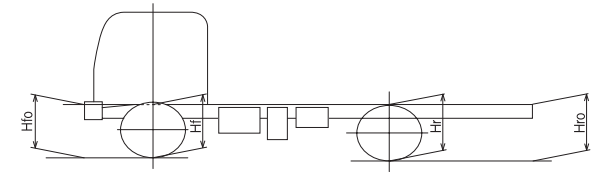
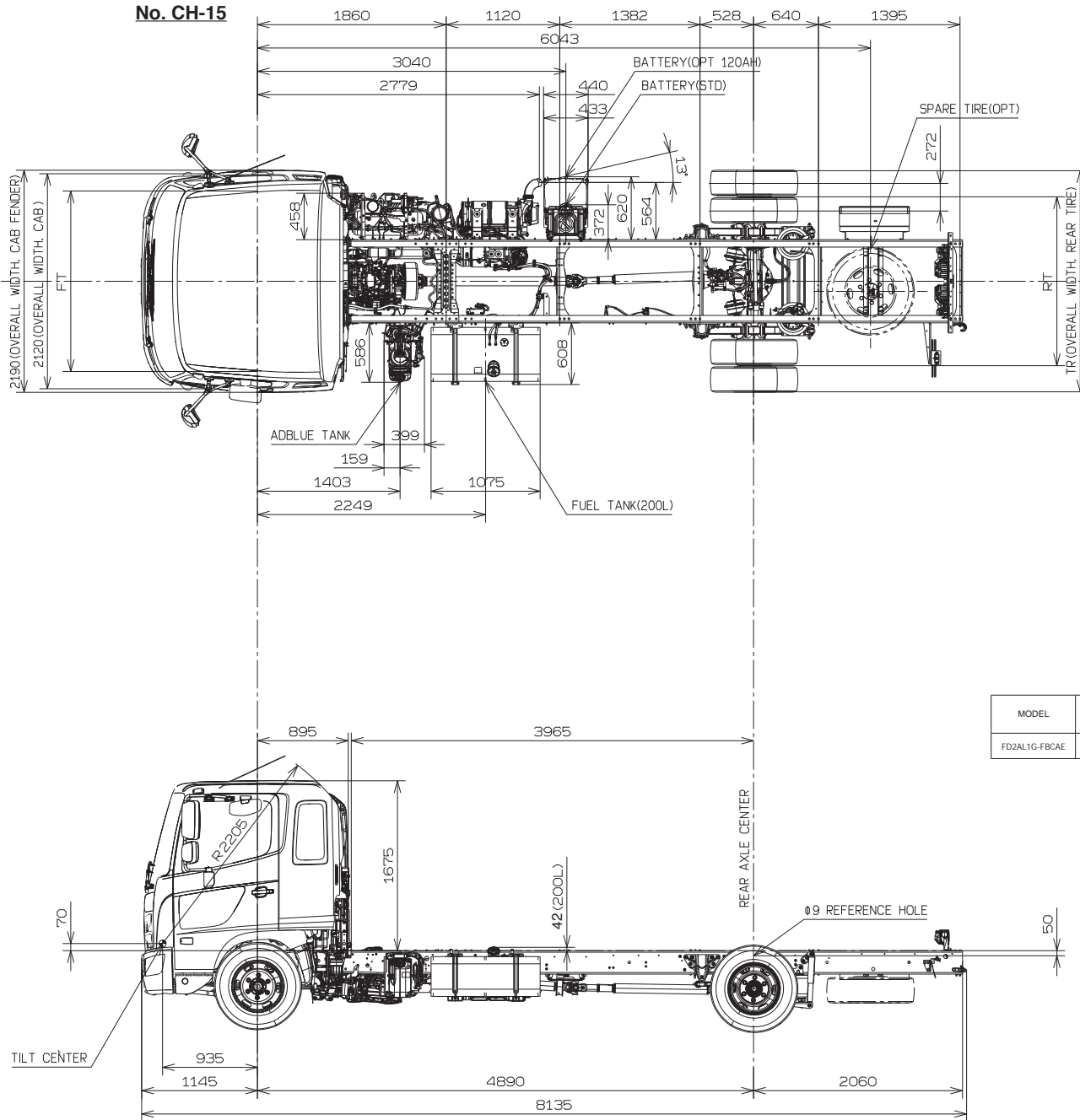
MODEL	TIRE	WHEEL	GROUND HEIGHT, FRAME UPPER SURFACE				FT	RT	TR
			H10	H1	H	H10			
FD2AL1G-DBCAE	235/75R17.5 132/130M	17.5X6.75-135	760	765	780	785	1780	1660	2165
		17.5X6.75-135 ALLOY	760	765	780	785	1795	1680	2190

Unit : mm



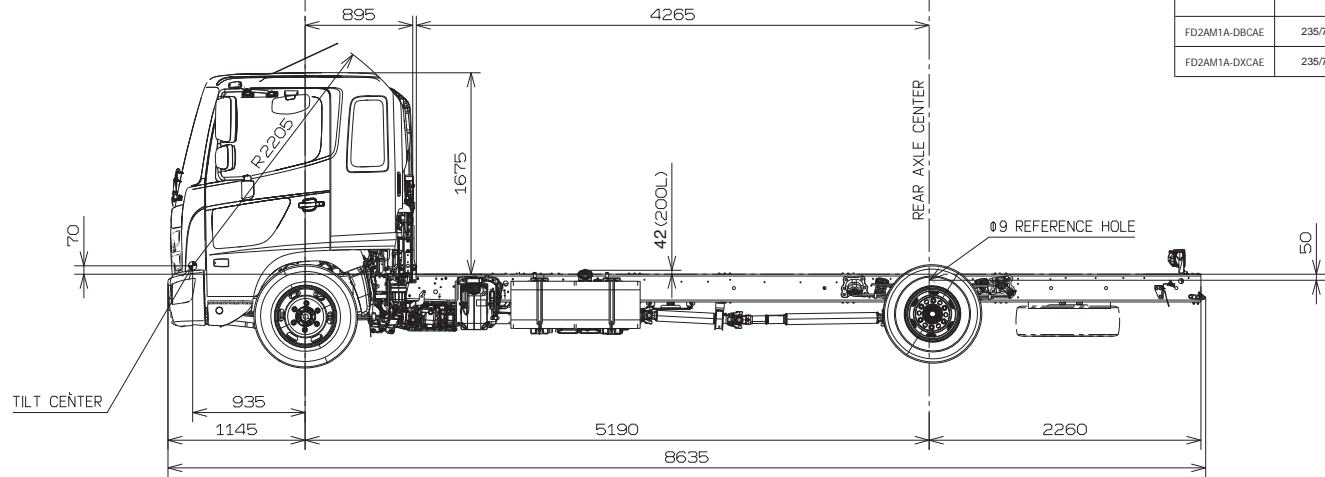
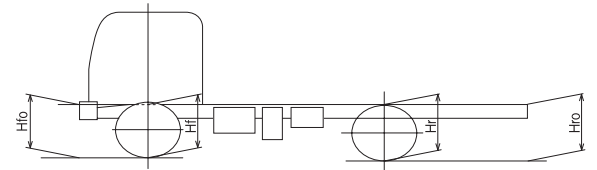
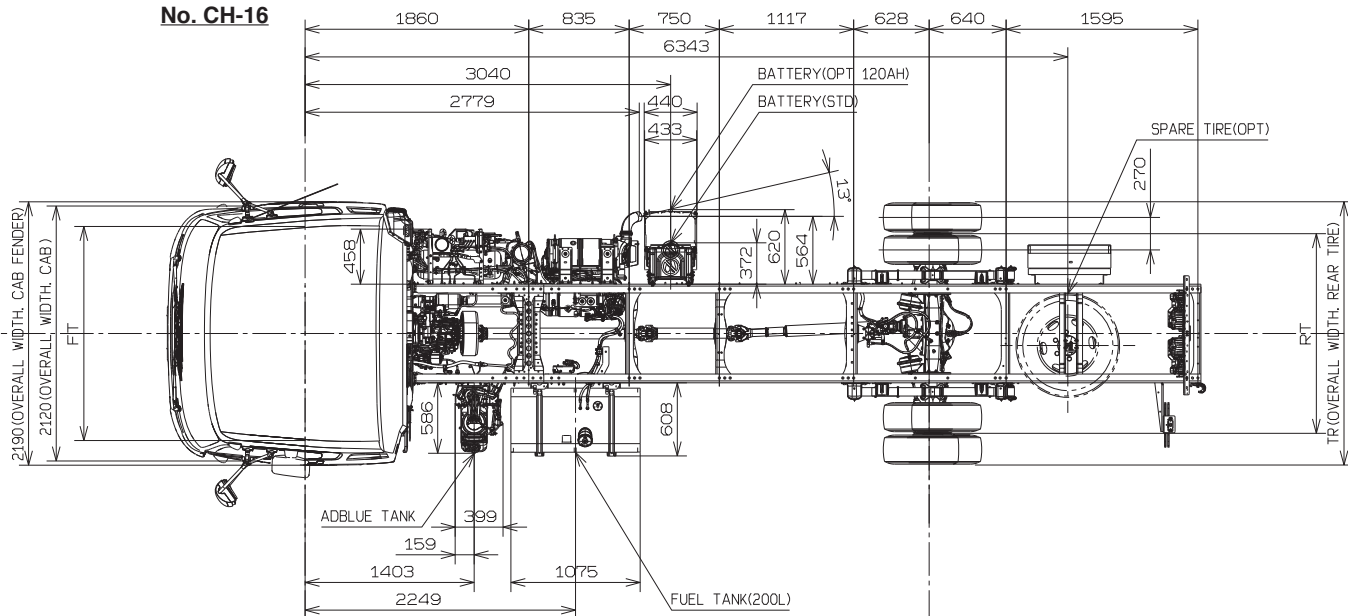
MODEL	TIRE	WHEEL	GROUND HEIGHT, FRAME UPPER SURFACE				FT	RT	TR
			H10	H1	H	H10			
FD2AL1G-DXCAE	235/75R17.5 132/130M	17.5X6.75-135	760	765	780	785	1780	1660	2165
		17.5X6.75-135 ALLOY	760	765	780	785	1795	1680	2190
		17.5X6.75-135	760	765	780	785	1780	1660	2165
FD2AL1G-FXCAE	235/75R17.5 132/130M	17.5X6.75-135	760	765	780	785	1795	1680	2190
		17.5X6.75-135 ALLOY	760	765	780	785	1795	1680	2190

Unit : mm



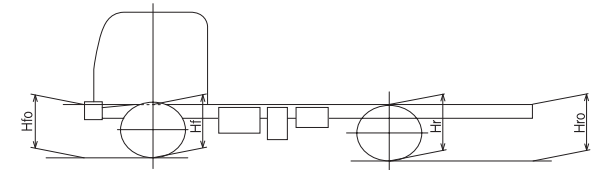
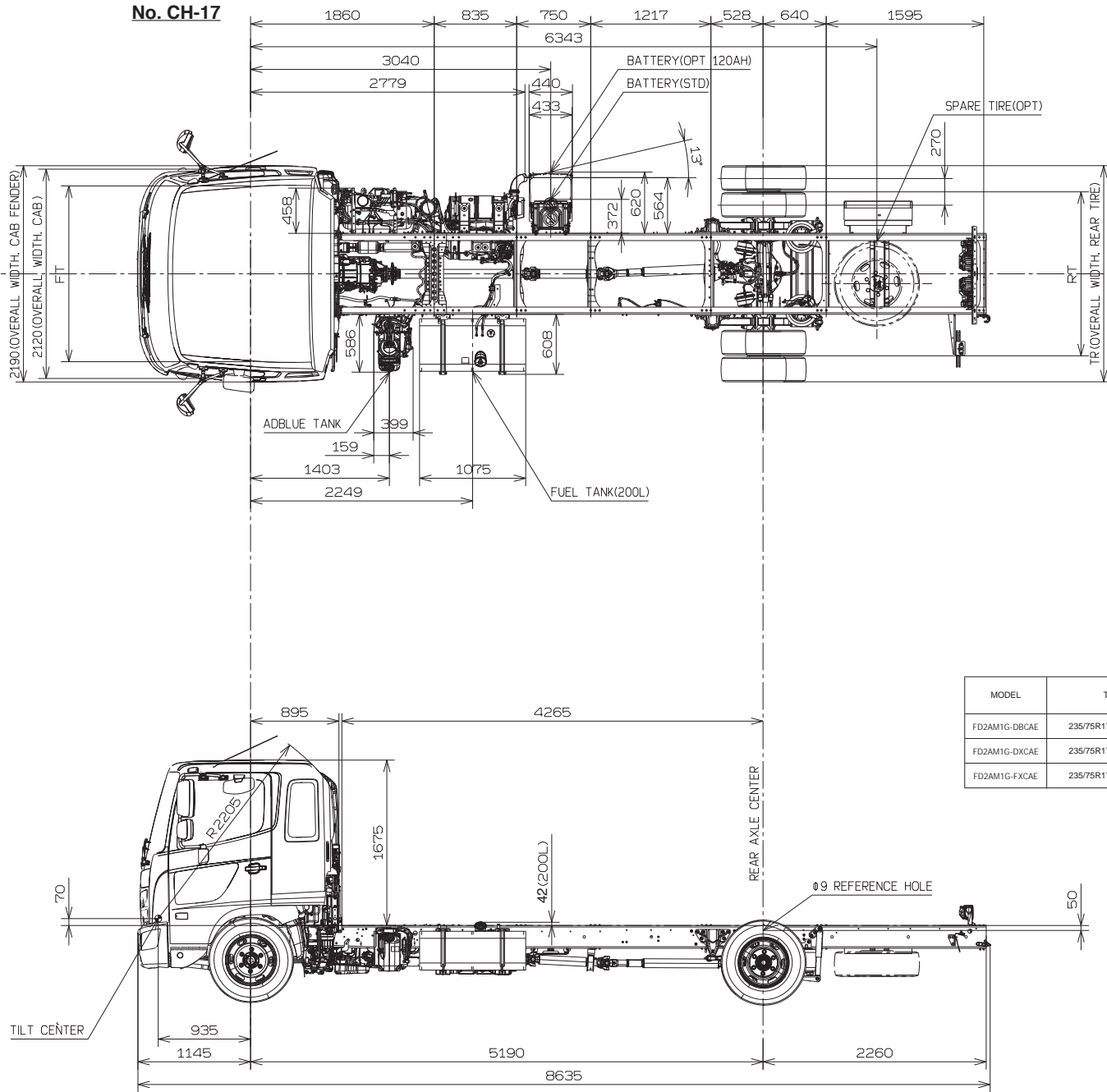
MODEL	TIRE	WHEEL	GROUND HEIGHT, FRAME UPPER SURFACE				FT	RT	TR
			H10	H1	H2	H2			
FD2AL1G-FBCAE	245/70R19.5 136/134M	19.5X6.75-136	785	790	800	805	1780	1665	2180
		19.5X6.75-136 ALLOY	785	790	800	805	1800	1685	2200

Unit : mm



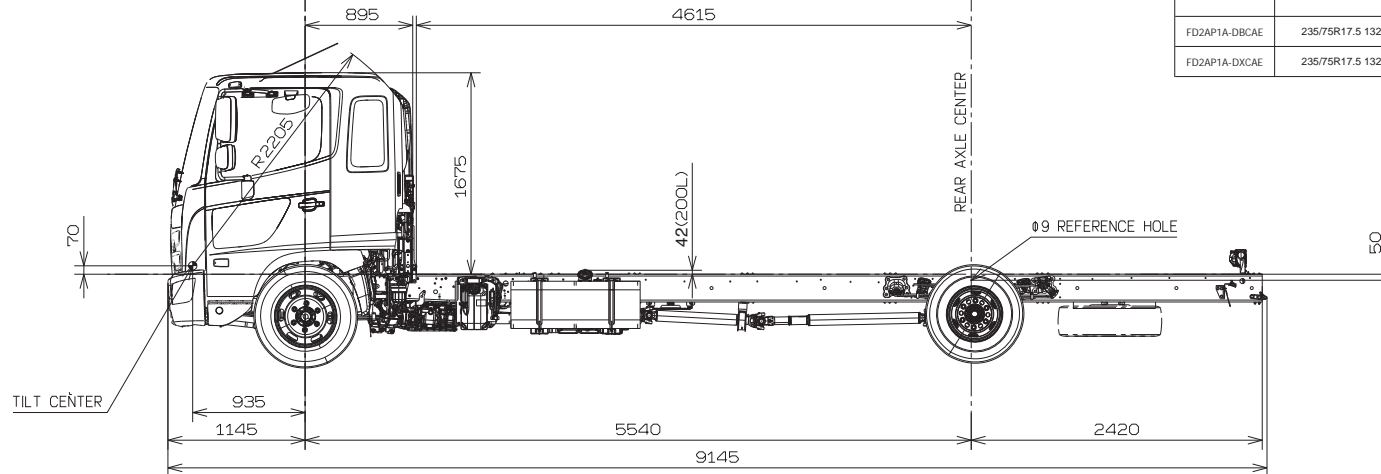
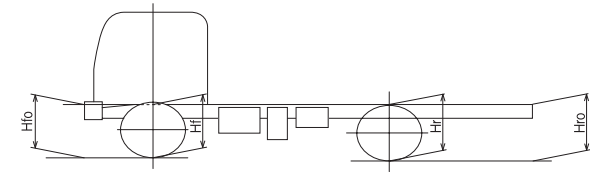
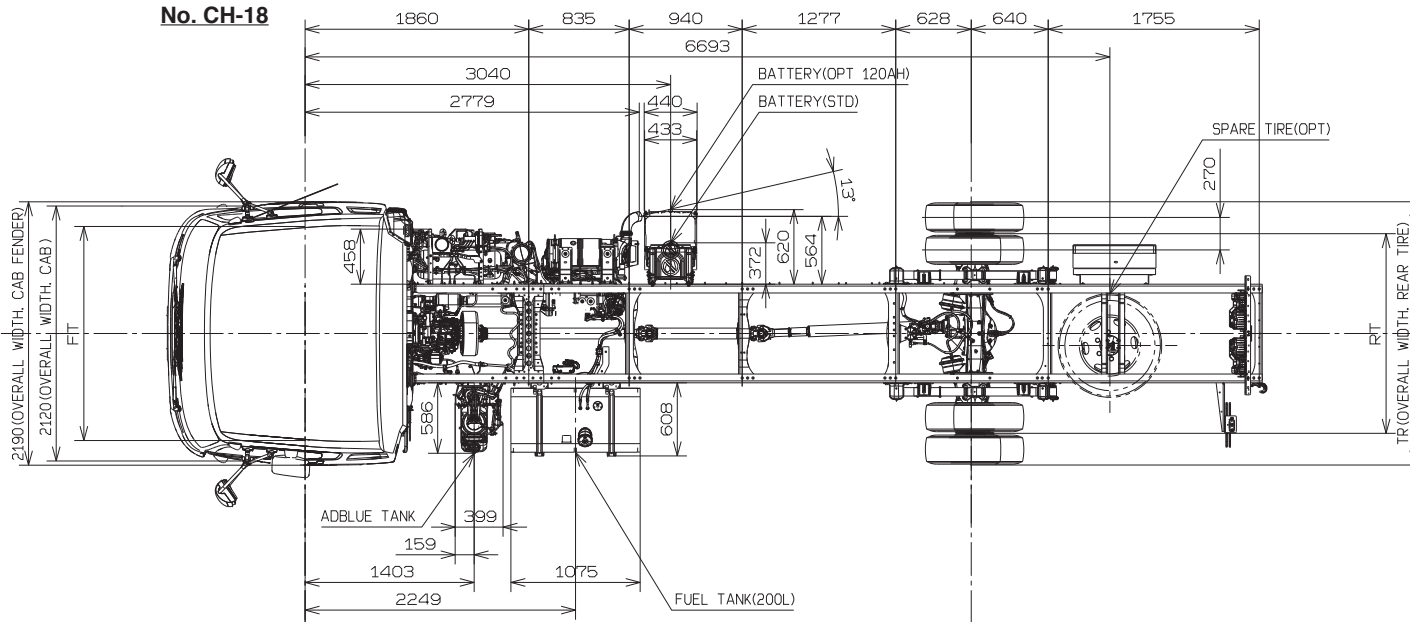
MODEL	TIRE	WHEEL	GROUND HEIGHT, FRAME UPPER SURFACE				FT	RT	TR
			H10	H1	H2	H10			
FD2AM1A-DBCAE	235/75R17.5 132/130M	17.5X6.75-135	745	765	860	900	1780	1660	2165
		17.5X6.75-135 ALLOY	745	765	860	900	1795	1680	2190
		17.5X6.75-135	745	765	860	900	1780	1660	2165
FD2AM1A-DXCAE	235/75R17.5 132/130M	17.5X6.75-135	745	765	860	900	1795	1680	2165
		17.5X6.75-135 ALLOY	745	765	860	900	1795	1680	2190

Unit : mm



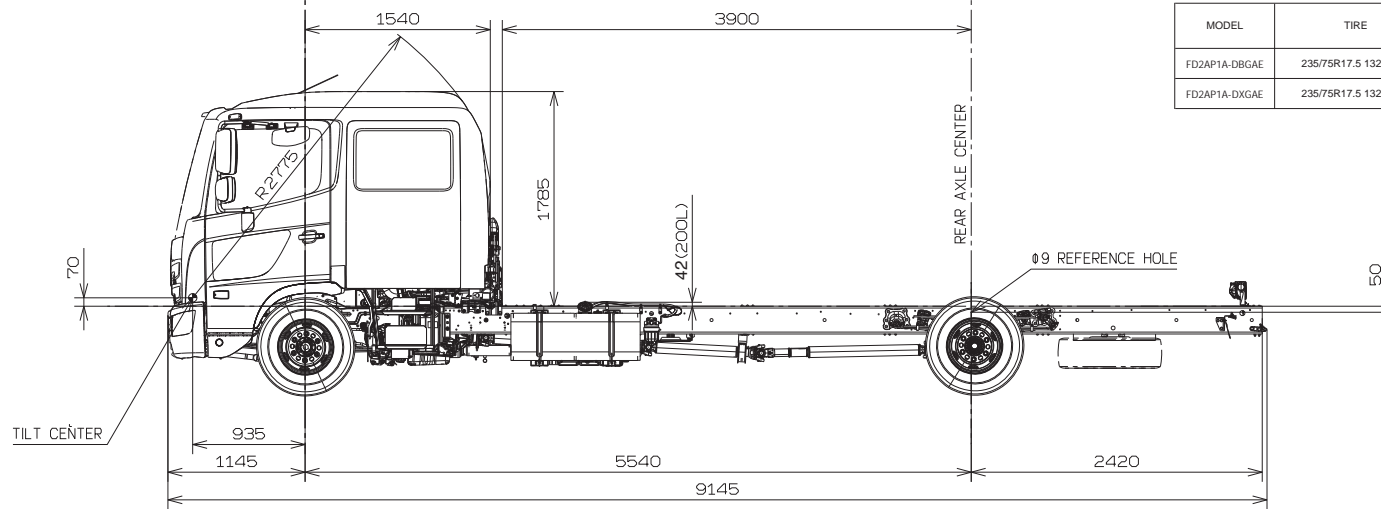
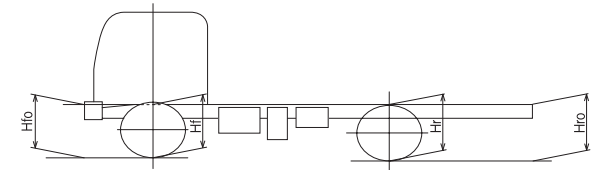
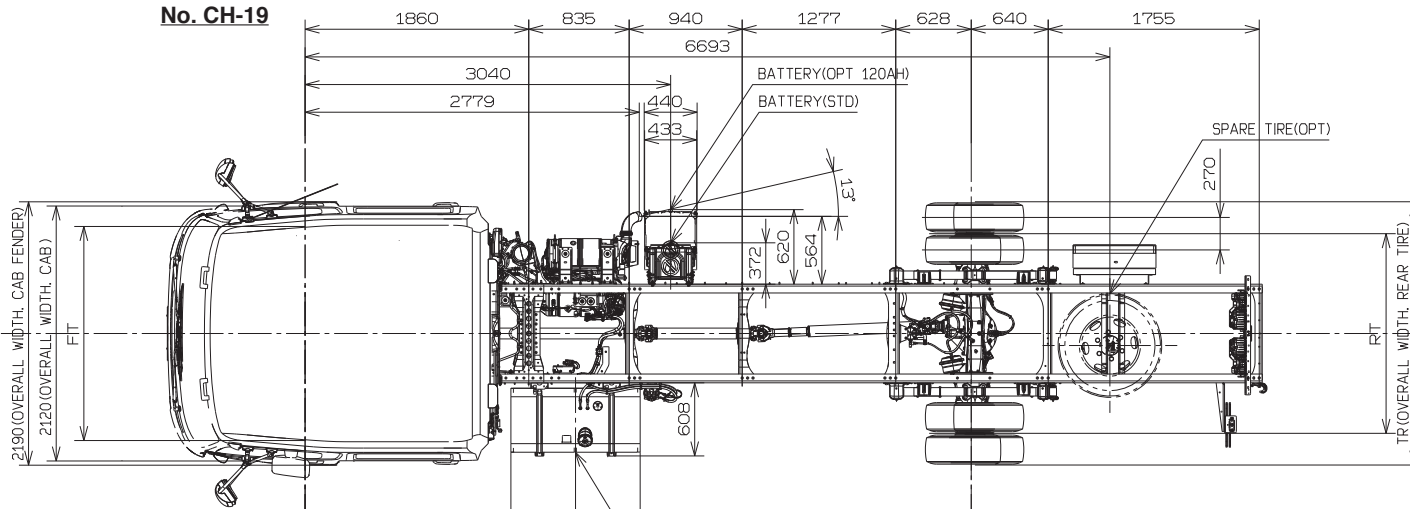
MODEL	TIRE	WHEEL	GROUND HEIGHT, FRAME UPPER SURFACE				FT	RT	TR
			H10	H1	H	H10			
FD2AM1G-DBCAE	235/75R17.5 132/130M	17.5X6.75-135	760	765	780	785	1780	1660	2165
		17.5X6.75-135 ALLOY	760	765	780	785	1795	1680	2190
		17.5X6.75-135	760	765	780	785	1780	1660	2165
FD2AM1G-DXCAE	235/75R17.5 132/130M	17.5X6.75-135	760	765	780	785	1795	1680	2190
		17.5X6.75-135 ALLOY	760	765	780	785	1795	1680	2190
		17.5X6.75-135	760	765	780	785	1780	1660	2165
FD2AM1G-FXCAE	235/75R17.5 132/130M	17.5X6.75-135	760	765	780	785	1780	1660	2165
		17.5X6.75-135 ALLOY	760	765	780	785	1795	1680	2190

Unit : mm



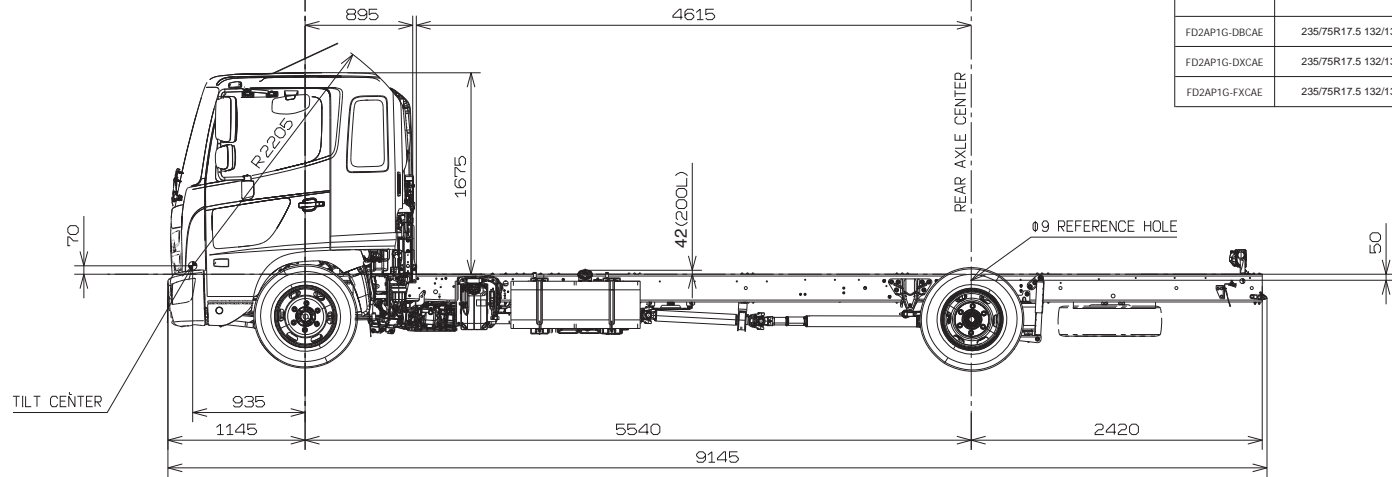
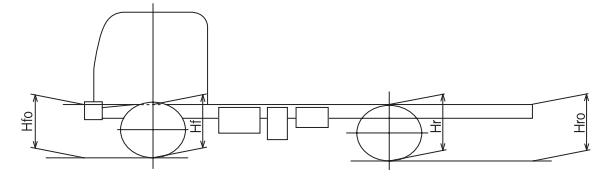
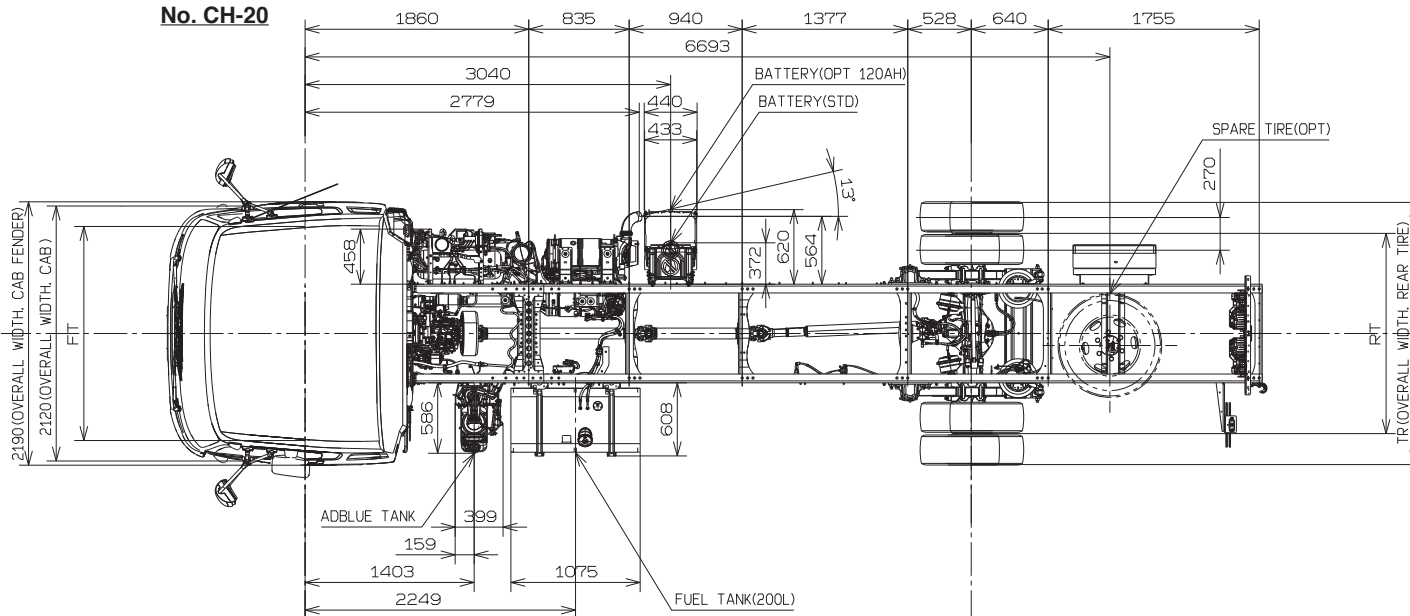
MODEL	TIRE	WHEEL	GROUND HEIGHT, FRAME UPPER SURFACE				FT	RT	TR
			H10	H1	H	H10			
FD2A1A-DBCAE	235/75R17.5 132/130M	17.5X6.75-135	745	765	860	900	1780	1660	2165
		17.5X6.75-135 ALLOY	745	765	860	900	1795	1680	2190
		17.5X6.75-135	745	765	860	900	1780	1660	2165
FD2A1A-DXCAE	235/75R17.5 132/130M	17.5X6.75-135	745	765	860	900	1795	1680	2190
		17.5X6.75-135 ALLOY	745	765	860	900	1795	1680	2190

Unit : mm



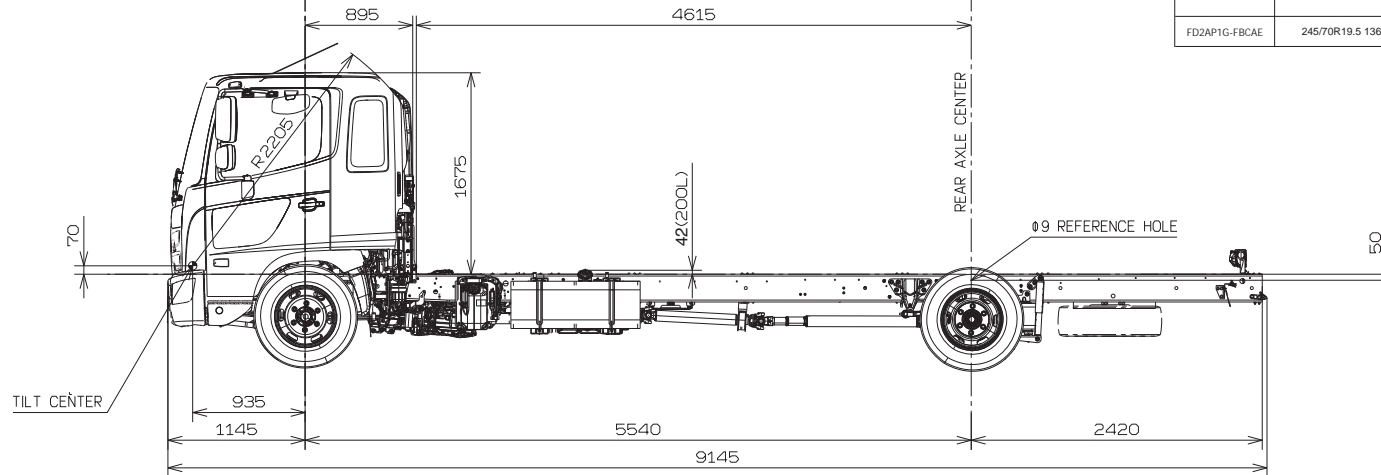
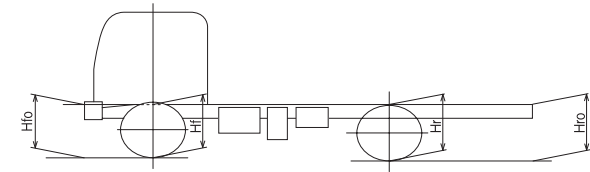
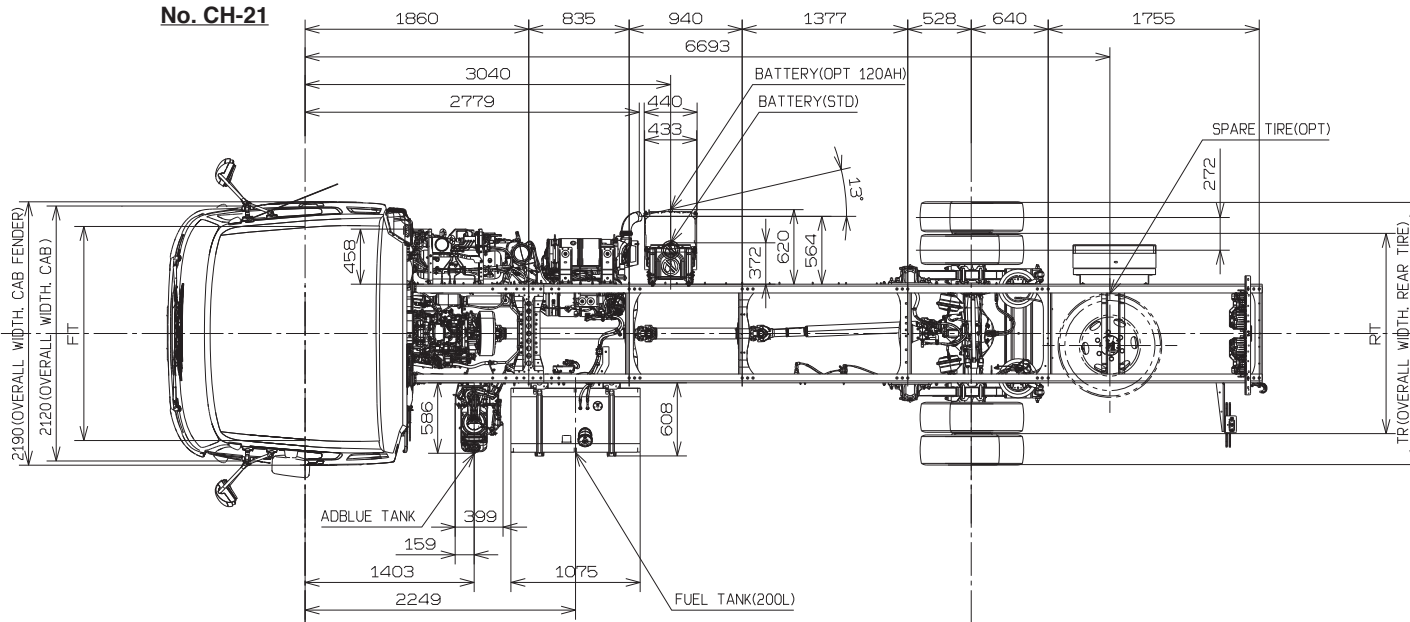
MODEL	TIRE	WHEEL	GROUND HEIGHT, FRAME UPPER SURFACE				FT	RT	TR
			H10	H1	H1	H10			
FD2AP1A-DBGAE	235/75R17.5 132/130M	17.5X6.75-135	740	760	860	905	1780	1660	2165
		17.5X6.75-135 ALLOY	740	760	860	905	1795	1680	2190
		17.5X6.75-135	740	760	860	905	1780	1660	2165
FD2AP1A-DXGAE	235/75R17.5 132/130M	17.5X6.75-135	740	760	860	905	1795	1680	2190
		17.5X6.75-135 ALLOY	740	760	860	905	1795	1680	2190

Unit : mm



MODEL	TIRE	WHEEL	GROUND HEIGHT, FRAME UPPER SURFACE				FT	RT	TR
			H10	H1	H	H0			
FD2AP1G-DBC AE	235/75R17.5 132/130M	17.5X6.75-135	760	765	780	785	1780	1660	2165
		17.5X6.75-135 ALLOY	760	765	780	785	1795	1680	2190
		17.5X6.75-135	760	765	780	785	1780	1660	2165
FD2AP1G-DXC AE	235/75R17.5 132/130M	17.5X6.75-135	760	765	780	785	1795	1680	2190
		17.5X6.75-135 ALLOY	760	765	780	785	1780	1660	2165
		17.5X6.75-135	760	760	780	785	1780	1660	2165
FD2AP1G-FXC AE	235/75R17.5 132/130M	17.5X6.75-135	760	760	780	785	1795	1680	2190
		17.5X6.75-135 ALLOY	760	760	780	785	1795	1680	2190

Unit : mm



MODEL	TIRE	WHEEL	GROUND HEIGHT, FRAME UPPER SURFACE				FT	RT	TR
			H10	H1	H2	H3			
FD2AP1G-FBCAE	245/70R19.5 136/134M	19.5X6.75-136	785	785	800	805	1780	1665	2180
		19.5X6.75-136 ALLOY	785	785	800	805	1795	1685	2200